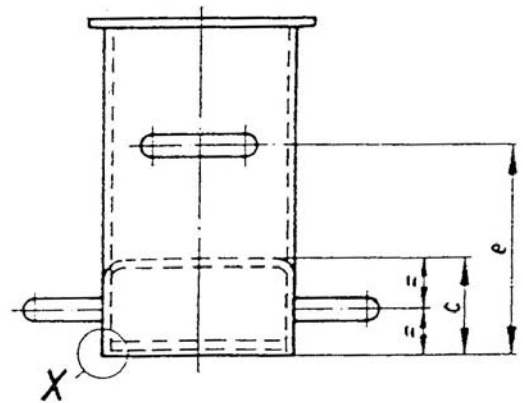
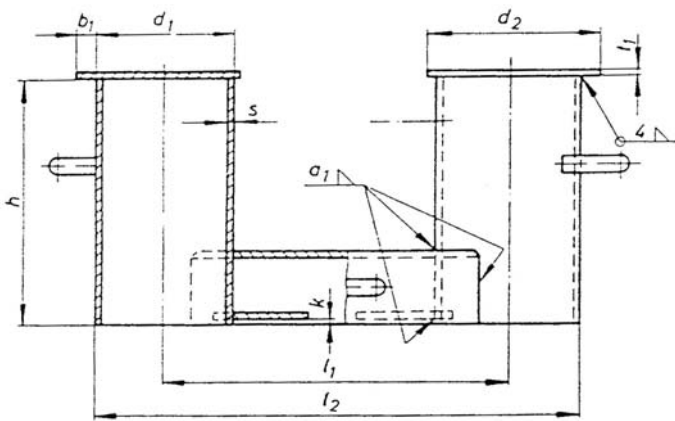


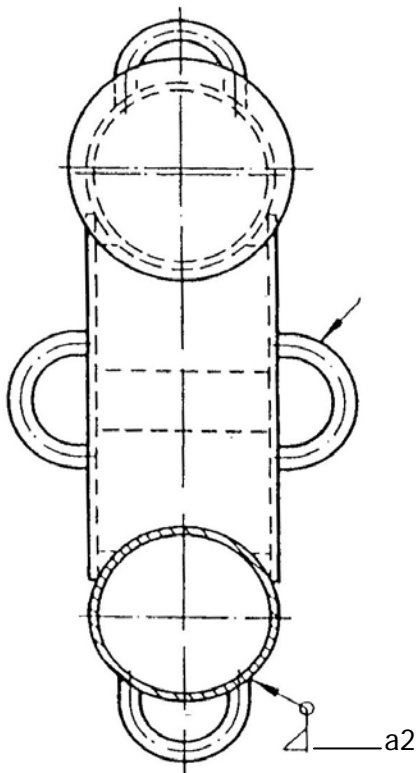
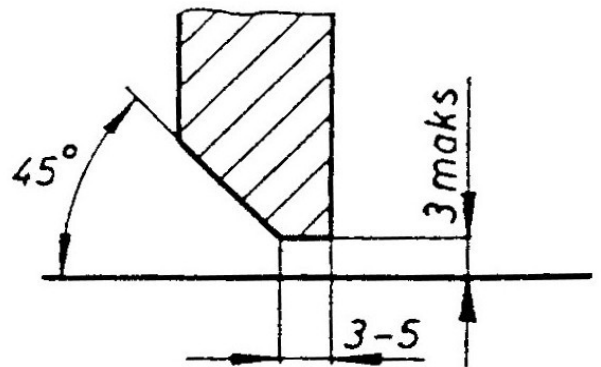


southern-marine.com

Bollard, double



Detail X



Specifications:

Seamless tubes: Steel NS 12 111 (St35)

Welded tubes: NS 12 123 (RSt37-2) or ship steel A

Other parts: Ship steel A

Prod. Stand.: NS 2584



Bollard

Dimensions

Nominal size	Bits d1 x s of		a ₁	a ₂	b ₁	c	d ₂	e	h	k	l ₁	l ₂ ca.	t ₁	Half link fastening NS 2619
	Tube NS 582	Rolled plate												
125	139,7x10	140x10	4	5	20	80	170	165	250	15	315	455	6	1
160	168,3x10	168x10	4	5	24	90	200	195	300	15	400	568	6	1
200	219,1x12,5	219x12	5	6	32	100	260	250	400	15	500	719	6	1,6
250	273x12,5	273x12	5	6	40	125	330	315	500	15	630	903	10	1,6
315	323,9x16	324x16	6	8	48	150	390	375	600	20	800	1124	10	2,5
400	406,4x17,5	406x16	8	9	56	175	480	435	700	20	1000	1406	10	4
500	508x25	508x22	10	9	72	200	600	515	830	25	1250	1758	12	4
630	610x25	610x22	10	9	88	225	720	615	1000	25	1570	2180	16	4
710	711x28 ¹⁾	711x25	10	9	96	250	830	675	1100	25	1750	2461	16	4

Size, load and weight

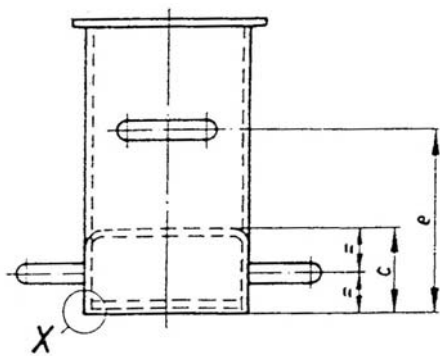
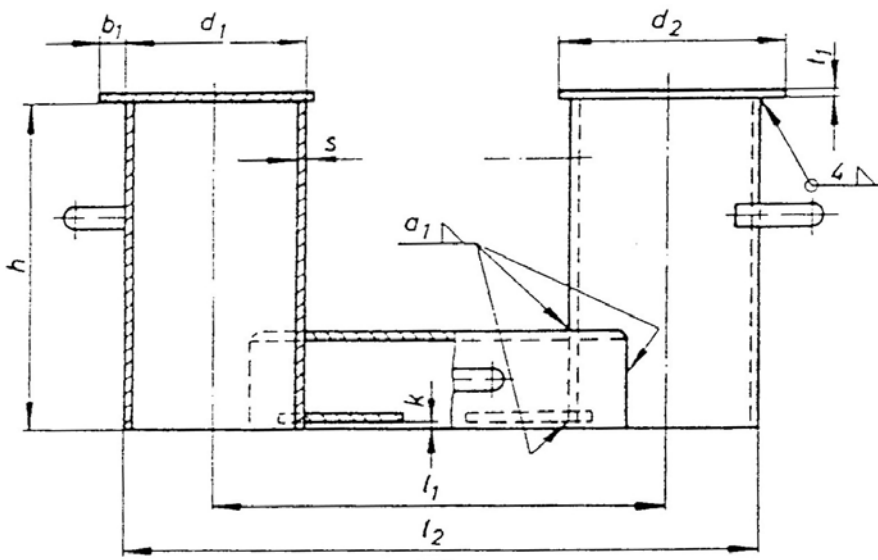
Nominal size	Permissible maximum load in bollard				Weight ¹⁾ Kg
	When mooring ¹⁾		When towing ²⁾		
	kN	(Mp)	kN	(Mp)	
125	45	(4,5)	130	(13,0)	25,9
160	55	(5,5)	155	(15,5)	37,2
200	100	(10,0)	285	(28,5)	75,2
250	130	(13,0)	365	(36,5)	124
315	205	(20,5)	540	(54,0)	230
400	280	(28,0)	740	(74,0)	356
500	510	(51,0)	1300	(130)	723
630	615	(61,5)	1550	(155)	1084
710	815	(81,5)	2150	(215)	1532

- 1) The bollard can be loaded with two mooring ropes each with a breaking strength not exceeding the values in the table.
- 2) Rope laid in single sling over one of the bits and with breaking strength not exceeding the values in the table.

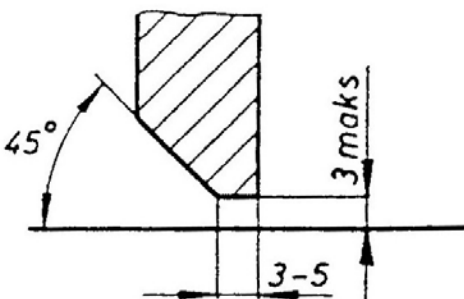


southern-marine.com

Bollard 128 harbour



Detail X



Specifications:

Seamless tubes: Steel NS 12 111 (St35)

Welded tubes: NS 12 123 (RSt37-2) or ship steel A

Other parts: Ship steel A

SWL/MBL: 64/128

Dimension: 1406 x 700 x Ø400

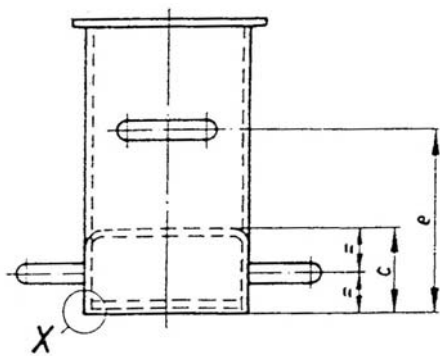
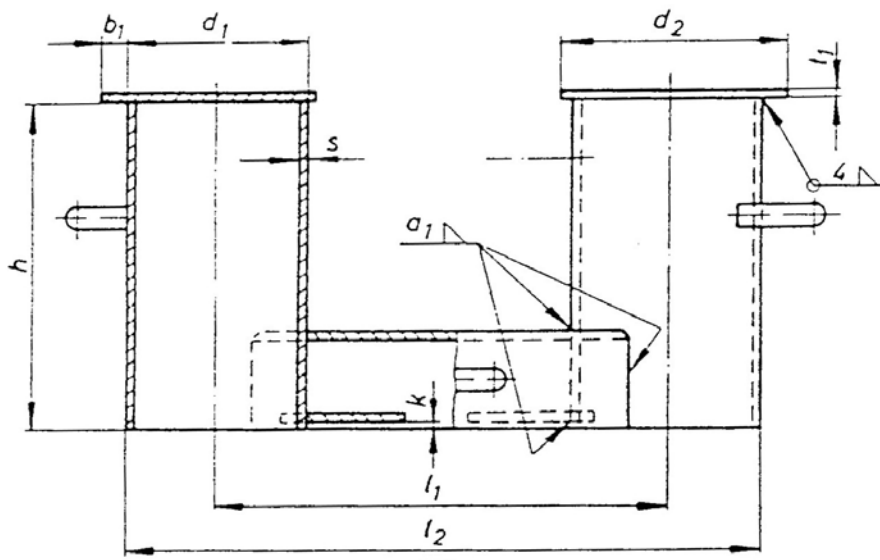
Weight: 356 kg

Prod. Stand.: NS 2584

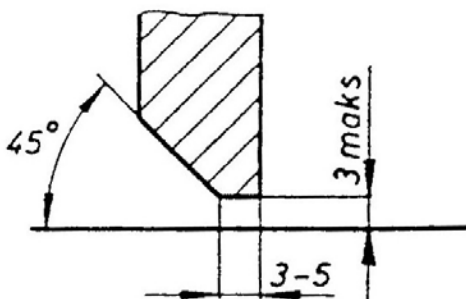


southern-marine.com

Bollard 184 harbour



Detail X



Specifications:

Seamless tubes: Steel NS 12 111 (St35)

Welded tubes: NS 12 123 (RSt37-2) or ship steel A

Other parts: Ship steel A

SWL / MBL: 92 / 184

Dimension: 1748 x 830 x Ø500

Weight: 723 kg

Prod. Stand.: NS 2584