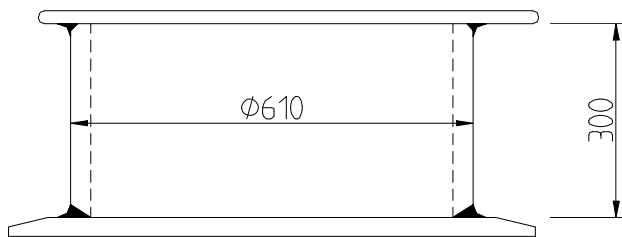
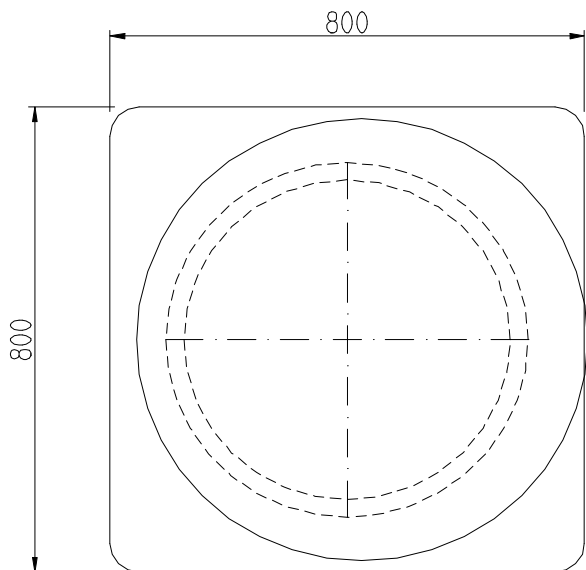


Single Bitt EPB 200 / EPB 500



SIDE VIEW



TOP VIEW



Type approved product
by I. Bennmo AB.

Specifications EPB 200:

Material: S355J2G3 or equal

SWL / MBL: 100 / 200

Dimension: 800 x 800 x 340

Weight: 264 kg

Certificate: DNV S-5092

Specifications EPB 500:

Material: S355J2G3

SWL / MBL: 250 / 500

Dimension: 800 x 800 x 350

Weight: 354 kg

Certificate: DNV S-5092