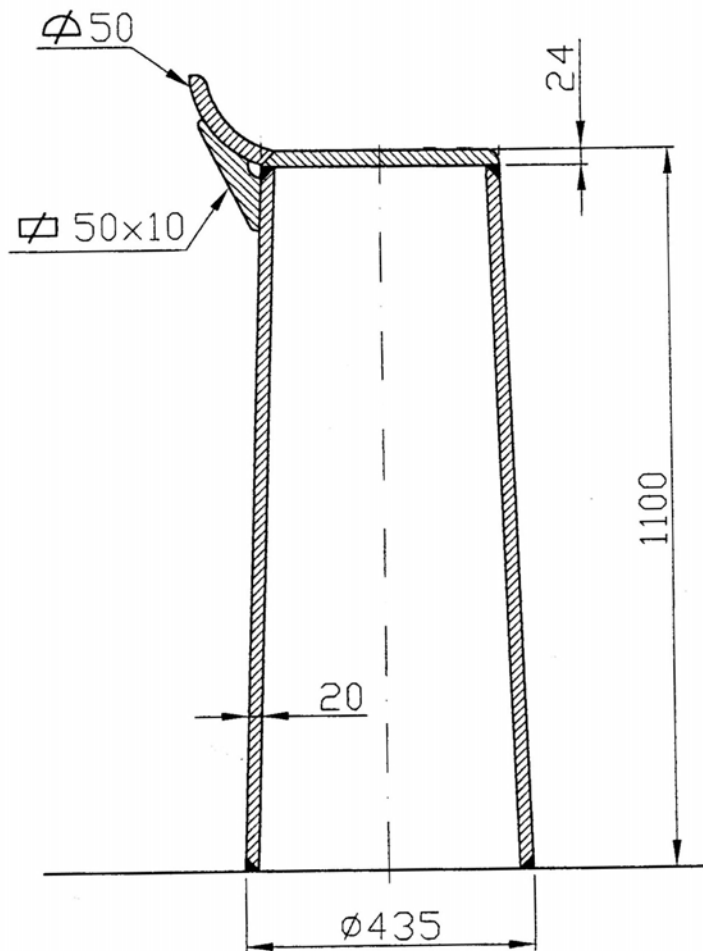




southern-marine.com

## Pedestal



Height	$\varnothing$ top	$\varnothing$ bottom	Material thickness	Weight kg
700	320	406.4	16	123.1
1100	320	435	20	232.1

Material:  
Minimum ship's steel grade A